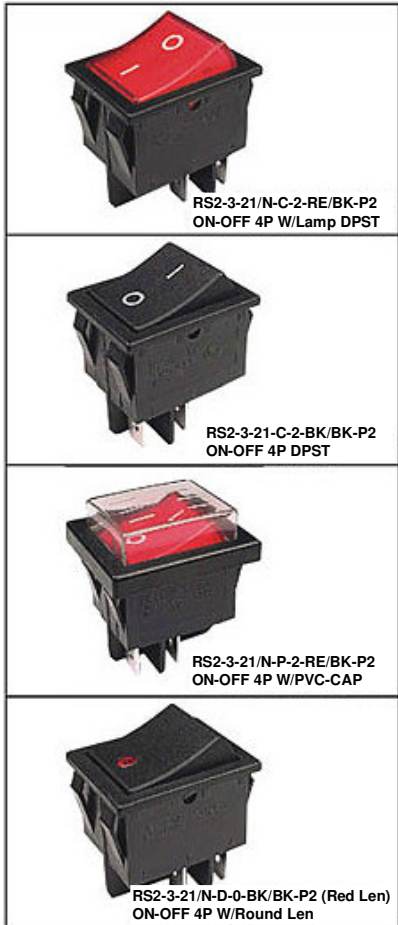
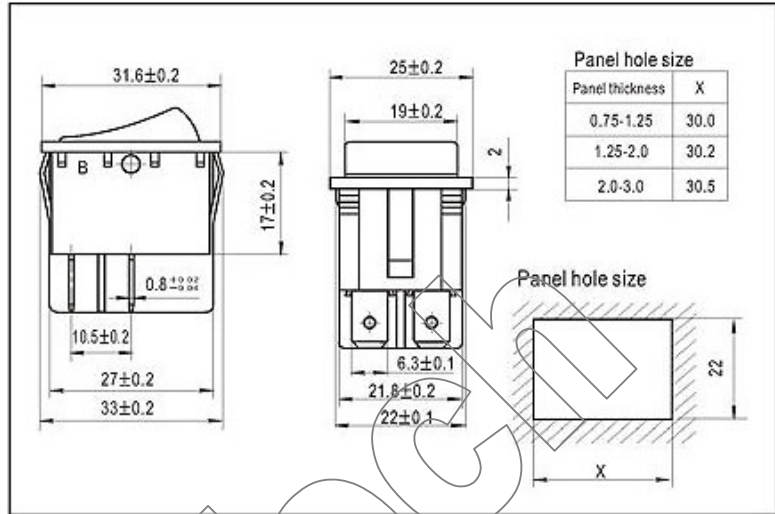


**Rocker Switch (RS2-3 Series)**



**SPECIFICATIONS**

16 (4) A 250VAC T125/55 1E4  
 16A 125VAC / 8A 250VAC  
 (H) Rating: 16 (8) A 250VAC T85/55 1E4  
**ROHS Compliance**



EXPLANATION MODEL NUMBER

**RS2-3 - 11/N - C - 2 - RE/BK - P1 .... (2)**

Function	
00	Indicator Lamp
21/N	ON-OFF 4P w/lamp
21	ON-OFF 4P
22	ON-ON 6P
23	ON-OFF-ON 6P
21(ON)	(ON)-OFF 4P
23(ON)	(ON)-OFF-ON 6P
23(2xON)	(ON)-OFF-(ON) 6P
11	ON-OFF 2P
12	ON-ON 3P
13	ON-OFF-ON 3P

Cap Type	
A	Flat
C	Soft Line
P	W/PVC-Cap
D	W/Round Len

Cap Printing	
0	None
1	●
2	○
3	○
4	— =
5	
6	○

Color Cap/Housing	
BK	Black
WT	White
RE	Red
OR	Orange
GR	Green
BL	Blue

Terminal	
(P1)	10 6.3 φ1.8
(P2)	10 6.3 φ2.1
(P20)	10 6.3 φ3.0
(P20-screw)	10 6.3
(P4)	10 4.8 φ1.6
(P14)	7 φ2.5

Votoge	
1	110VAC
2	220VAC
3	12VDC
4	24VDC